

ACM

Alarm and Diagnostics Module

Specifications

Number of Ports

Inbound: 8

Outbound: 4

Maximum Input Voltage

 ± 30 VDC

Outbound Relay Characteristics

Maximum voltage across open contacts:

24 VDC

Maximum current through closed contacts:

1.25A

General Purpose Output Voltage

+12 VDC ($\pm 5\%$) and -12 VDC ($\pm 5\%$), limited by 300 Ω series resistors

Connector

Single female DB25 connector (supports all outbound ports, inbound ports, and +/-12 VDC supply output)

Indicators

8 Inbound LEDs (red) to indicate activation of inbound event received by that port (user-set to indicate low/high activity)

4 Outbound LEDs (green) to indicate alarm being routed to that port

Environment

Operating temperature: -10°C to 55°C (14°F to 131°F)

Storage temperature: -20°C to 70°C (-4°F to 158°F)

Humidity: up to 95%, non-condensing

Configuration

Programmable via Megaplex management system

Ordering

MP-2100M-ACM

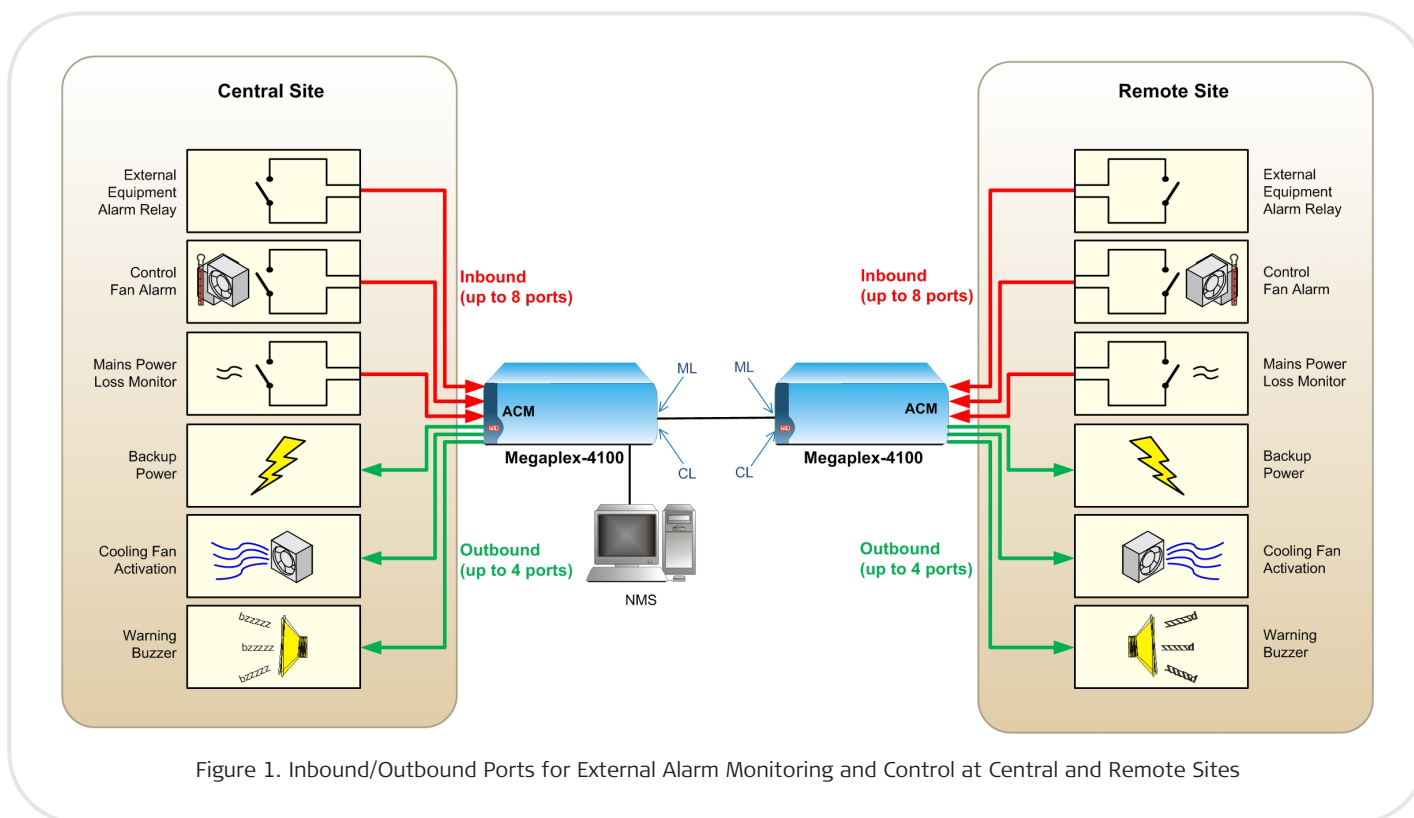


Figure 1. Inbound/Outbound Ports for External Alarm Monitoring and Control at Central and Remote Sites

International Headquarters

24 Raoul Wallenberg Street
 Tel Aviv 69719, Israel
 Tel. 972-3-6458181
 Fax 972-3-6498250, 6474436
 E-mail market@rad.com

North America Headquarters

900 Corporate Drive
 Mahwah, NJ 07430, USA
 Tel. 201-5291100
 Toll free 1-800-4447234
 Fax 201-5295777
 E-mail market@radusa.com

www.rad.com

Order this publication by Catalog No. 803252
Order from: Cutter Networks Inc Phone: 727-398-5252

data communications

The Access Company
 www.bestdatasource.com